

E.LUMEN

Multifunctional 3W LED Flashlight



2775 E. Philadelphia St., Ontario, CA 91761
1-800-330-8678

Version 1.0

Important Safety Instructions

Please save these instructions.

This manual contains important safety, installation, and operating instructions for the flashlight.

- Do not point the flashlight directly into a person's eyes, as it may damage vision.
- Ensure that water or any other liquids do not come into contact with the flashlight. If this does occur, turn the solar flashlight off and pour out as much water as possible. Place the flashlight on a flat surface and let it dry in the sun.
- When the flashlight brightness is noticeably dim, charge the battery.
- Do not disconnect the solar panel or strike the flashlight casing. Doing so may cause a circuit failure and/or cause the photovoltaic silicon wafer to fracture. If this is to occur, problems with charging and illumination may arise.

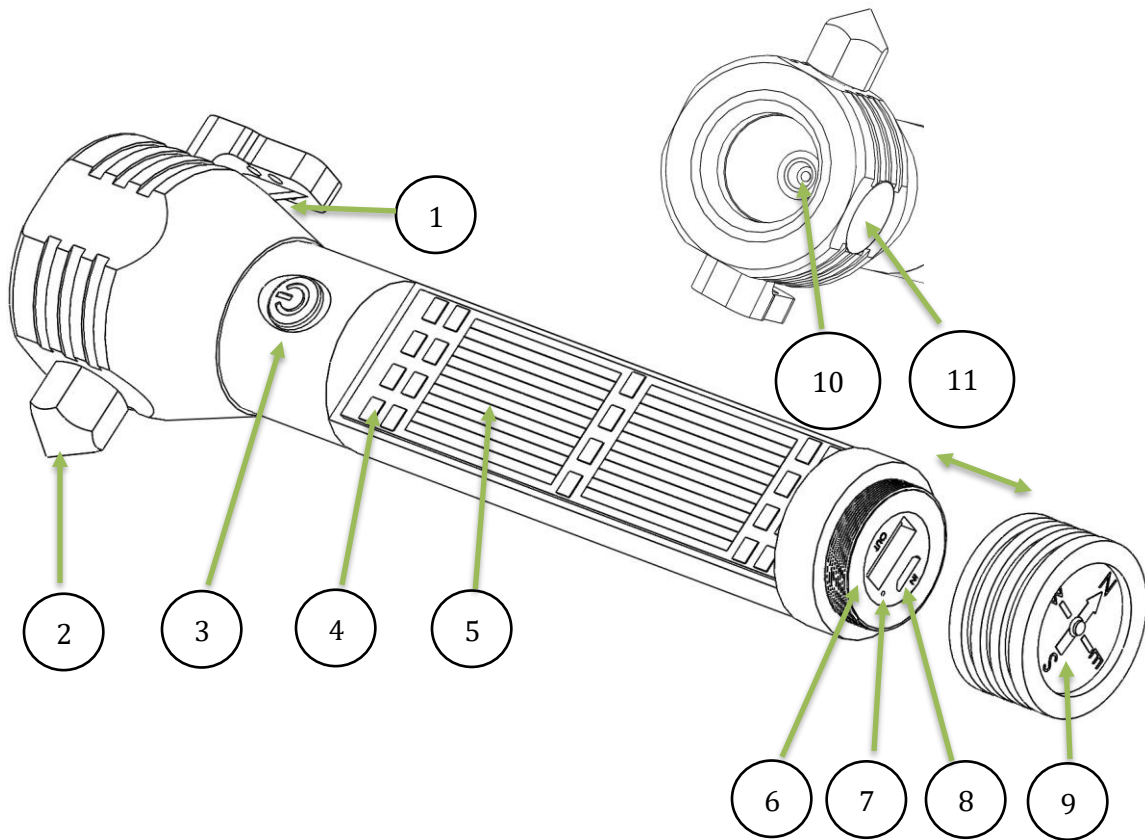
General Information

Taking the standard flashlight to the next level, the E.LUMEN is one of the most reliable LED flashlights that is emergency ready. Equipped with a built-in battery and USB charger, the E.LUMEN is ready for multiple hours of lighting time while keeping your USB devices charged.

Key Features

- Robust and sleek design made of aluminum
- Powerful headlight lighting up to 200 meters
- 2000mAh Lithium-ion battery with charging indicators
- 3W Led Headlight and 2W LED Side lights for multiple lighting modes
- Vehicle Emergency ready with High-strength Alloy Glass Shattering Hammer and Seatbelt Cutter
- Equipped with side magnet for convenient mounting and compass when on the go

Operation



1. Seatbelt Cutter
3. Power Button
5. Solar Panel
7. Battery Indicator
9. Compass
11. Magnet

2. Safety Hammer
4. Side LED
6. USB Output
8. Micro USB input
10. Head LED

Changing Lighting Modes

To change modes, hold down the power button for approximately 3 seconds. The flashlight will automatically display the first command under the respective lighting mode. In order to cycle through the additional lighting features simply press the power button once again. The flashlight will stay on the same mode until the user changes the mode manually.

Lighting Modes

The E.LUMEN features 3 distinct lighting modes. Within each mode users can cycle through the additional lighting features under the respective mode. You will also find approximate run-times for each of the modes.



Charging

Charge the E.LUMENT using solar or by using the included USB to micro USB adaptor. It will take approximately 30 hours to completely recharge the E.LUMENT (from 0%). If charging through the USB to micro USB adaptor, it will take approximately 6 hours to completely charge.

When charging through the USB port, the base by the port interface will turn red. Upon complete charge, the red light will turn off.

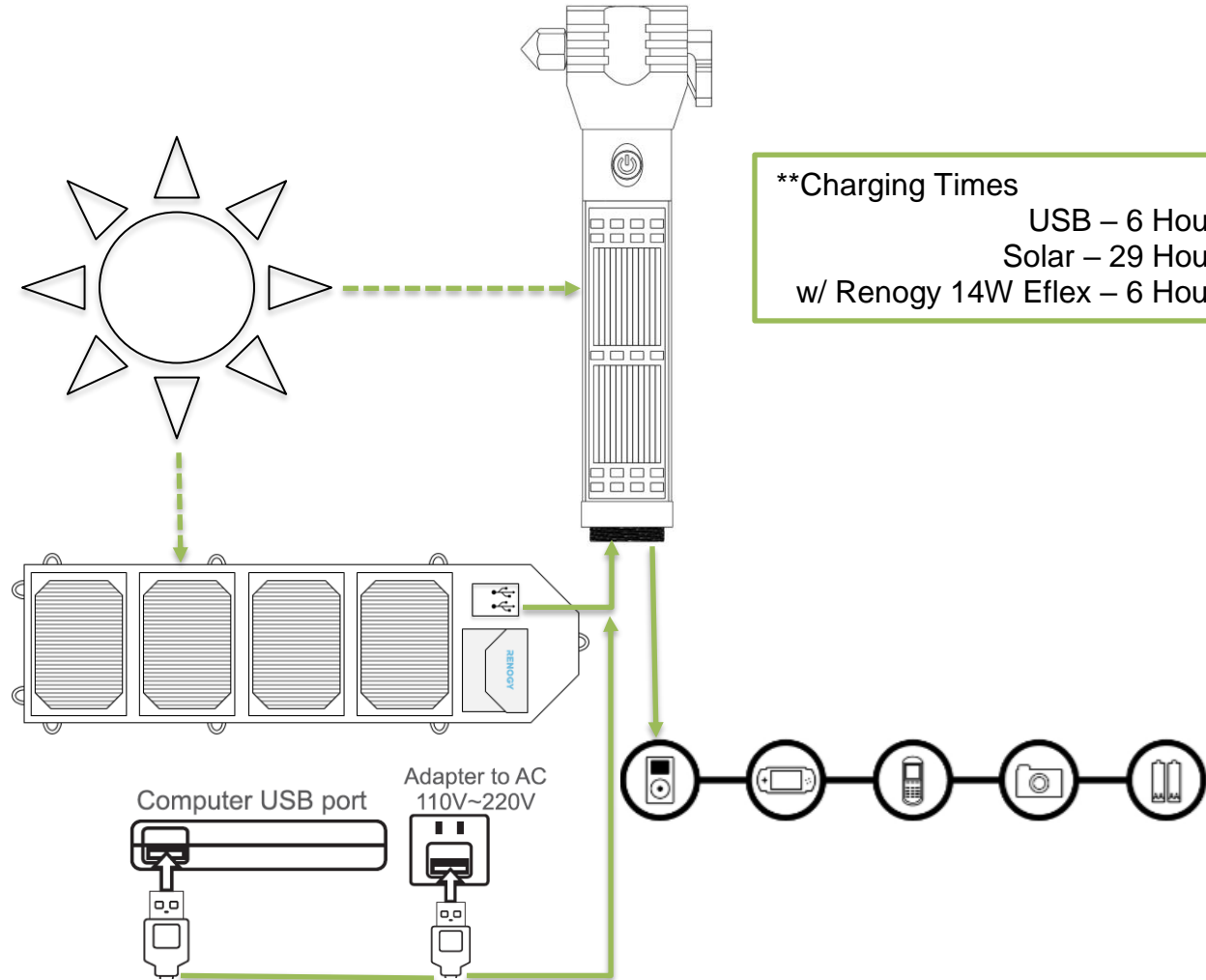
USB Output

The E.LUMEN is compatible with most portable digital devices such as mobile phone, MP3 / MP4, cameras, tablets, handheld game consoles, and conveniently charges them while you are on the go.

When the USB output is being used, a blue light will appear by the port itself. The E.LUMEN will turn off the blue light upon detecting that the battery is approaching low capacity and cut off any USB activity to protect the battery. Functionality of the LED light will remain active for approximately 30 minutes with the brightness reduced to 30% of the normal luminance.

HOW IT WORKS:

*Combine with Renogy E. FLEX for maximum solar charging experience



**Charging Times

USB – 6 Hours
 Solar – 29 Hours
 w/ Renogy 14W Eflex – 6 Hours

Technical Specifications

General	
Material	Aluminum
Dimensions	Length x Head (diameter) x Body (diameter) 7.83 x 1.65 x 1.22 in 199 x 42 x 31 mm
Weight	0.68 lbs. / 310 g
Protection	IP54

Battery	
Type	18650 Lithium ion
Capacity	3.7V, 2000mAh
Protection	Charging protection, low-capacity protection
Solar	
Cell	Monocrystalline
Rating	5V, 50mA
Ports	
USB Output	5V, 1A Max.
Micro USB Input	5V, 0.55A Max
LED	
Headlight	3W, 200 lumens
White Sidelights	2W, 150 lumens (10 x 0.2W white 2835 SMD LED)
Red Sidelights	Wavelength 620-625 (10 x red 2835 SMD LED)
Lighting Distance	200 meters, headlight

Dimensions

